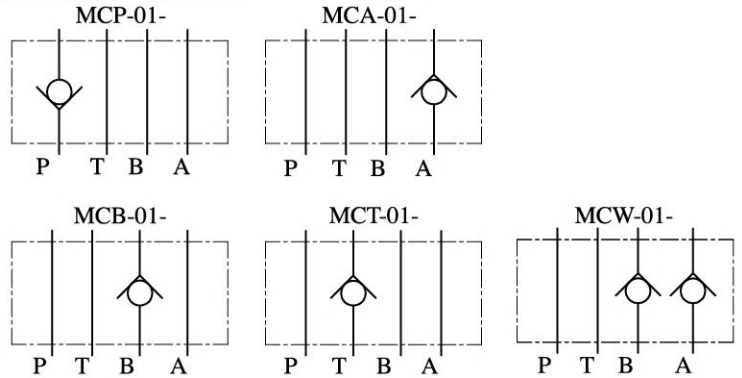


新產品 - 疊加式單向閥 Check Modular Valves



選購指南 HOW TO ORDER

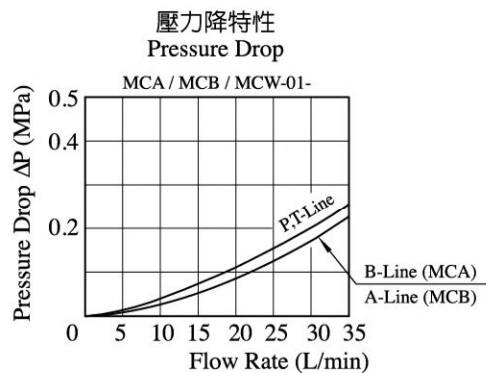
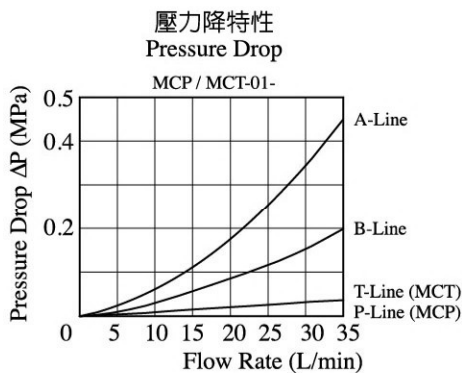
MCP	01	2	30
系列編號 SERIES NUMBER	口徑 VALVE SIZE	啓流壓力 CRACKING PRESSURE MPa (kgf/cm ²)	設計號 DESIGN NUMBER
Check Modular Valves MCP : For P - Line MCA : For A - Line MCB : For B - Line MCT : For T - Line MCW : For AB - Line	- 01 : 1/4"	- 05 : 0.05 (0.5) - 50 : 0.5 (5)	- 30

規格說明 SPECIFICATIONS

型式 Model Series	最高使用壓力 Max. Operated Pressure MPa (kgf/cm ²)	最大流量 Max. Flow (L/min)	重量 Weight (kg)
MCP-01-※-30	31.5 (315)	40	1.1
MCA-01-※-30			
MCB-01-※-30			
MCT-01-※-30			
MCW-01-※-30			

性能曲線 PERFORMANCE CURVES

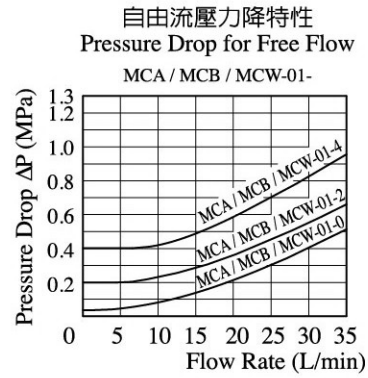
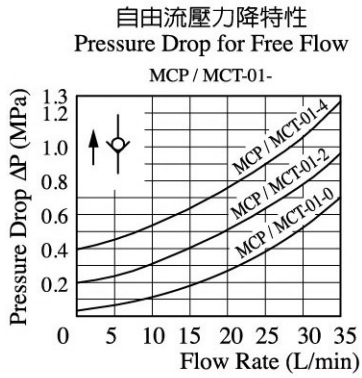
Hydraulic Fluid : Viscosity 35 cSt (35 mm²/s) , Specific Gravity 0.850



疊加式單向閥 Check Modular Valves

性能曲線 PERFORMANCE CURVES

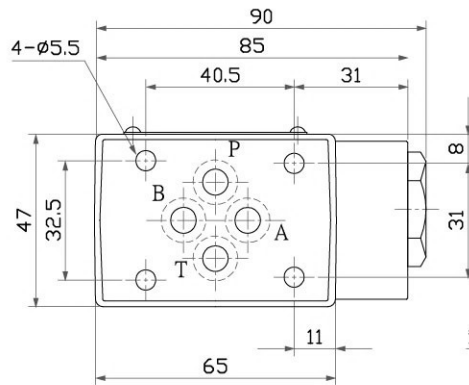
Hydraulic Fluid : Viscosity 35 cSt (35 mm²/s) , Specific Gravity 0.850



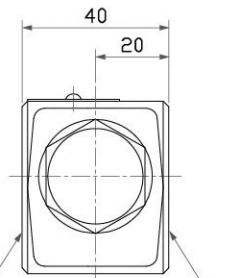
● MCP-01-※- MCT-01-※-

安裝尺寸符合ISO4401-AB-03-4-A
Mounting Surface:ISO4401-AB-03-4-A

DIMENSIONS IN MILLIMETRES

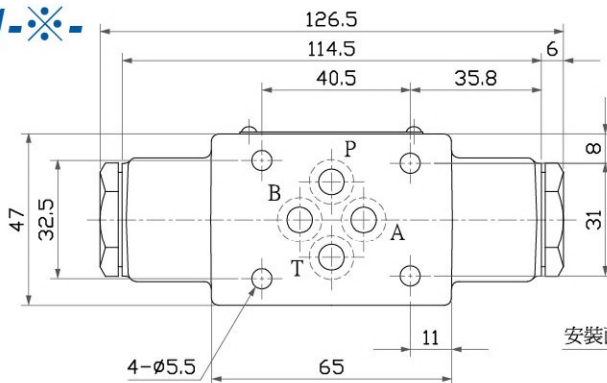


安裝面 Mounting Surface

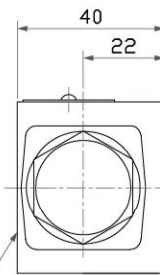


安裝面 Mounting Surface
O-Rings Furnished SO-NB-P9 4 PC

● MCA-01-※- MCB-01-※- MCW-01-※-



安裝面 Mounting Surface



安裝面 Mounting Surface
O-Rings Furnished SO-NB-P9 4 PC